

BEACON SOUNDER

Ultra bright, ultra loud



APPLICATION EXAMPLES

- Noisy industrial environments
- Emergency lighting
- Fire and gas detection
- Status indication
- Burglar alarm
- Machine safety

KEY FEATURES

- Ultrabright RGB LED array
- Various sounds
- Different colors and patterns
- Compact design
- Sound level 106 dB @ 30 cm
- Easy to program



The Beacon Sounder lights up with adjustable colors for any alarm situation.

Versatile and cost-effective Beacon Sounder. With perfect programmability for every desired behavior, you can suit the Beacon Sounder to any application. Furthermore, we've made it really, really loud.

The sound from the beeper is amplified with a specially developed horn. The sound pressure level is rated at 106 dB at 30 cm distance. Seriously loud, and more than enough to ensure that no alarm goes unnoticed. With different tones to choose from, including rapidly changing frequencies, there's always an alarm that gets everyone's attention.

The Beacon Sounder, developed by WatchGas, has 38 ultra-bright RGB LEDs for colored lighting. They are so bright that they are even clearly visible in sunlight. With programmable light patterns, you can match it to your procedures. Green is very suitable for a one-glance All-OK mode, for example.

It has a wide voltage range, so it can accept signals from almost any signal-producing apparatus. We don't have a ton of different products with many different article numbers either: There's only one Beacon Sounder and it does all of the above. This makes it one of the most flexible alarming devices on the market, enabling you to standardize a versatile, cost-effective tool.

BEACON SOUNDER

Ultra bright, ultra loud



BEACON SOUNDER GENERAL SPECIFICATIONS

DIMENSIONS	92 x 83 mm (3.6 x 3.3") Dia x H
WEIGHT	250 g (8.82 oz)
MOUNTING	4x M4x35 bolts
COLORS	RGB LED, in Red, Yellow, Green and Blue (Switchable to White) flashing patterns
SOUND	Different types of alarm sounds
SOUND PRESSURE LEVEL	106 dB at 30 cm
POWER SUPPLY	9-30V DC (min. 4W)
STANDBY CURRENT	Max. 10 mA
TRIGGER VOLTAGE POSITIVE	6-30V DC
TRIGGER CURRENT	Max. 6 mA
CABLE DIAMETER	Max. 1,3 mm ² stranded core
IP-RATING	IP65

BEACON SOUNDER LIGHT PATTERNS EXAMPLE

RED (1**** ALARM)	Continuous, Fancy loop, Loop or flashing 10 Hz / 50% dutycycle
YELLOW (2*** CAUTION / FAULT)	Continuous, Fancy loop, Loop or flashing 10 Hz / 50% dutycycle
GREEN (3* *OK)	Continuous, Fancy loop, Loop or flashing 10 Hz / 50% dutycycle
BLUE (4* MISCELLANEOUS)	Continuous, Fancy loop, Loop or flashing 10 Hz / 50% dutycycle

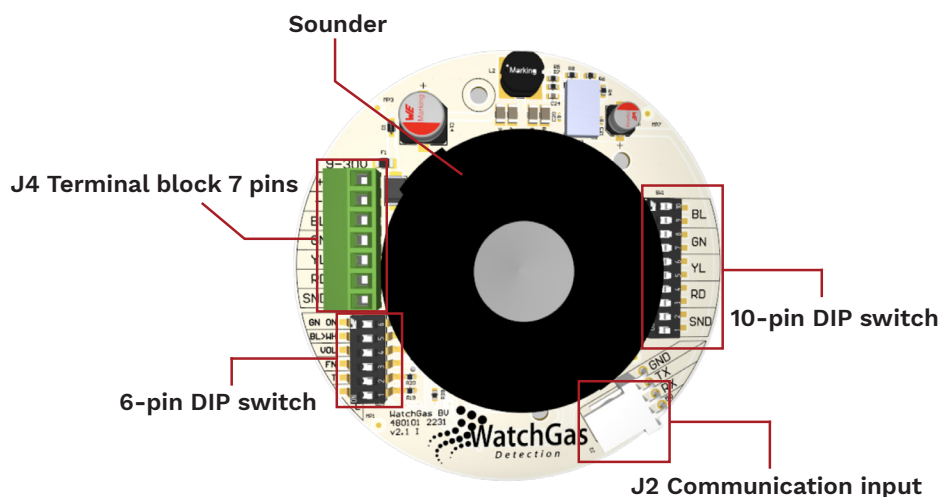
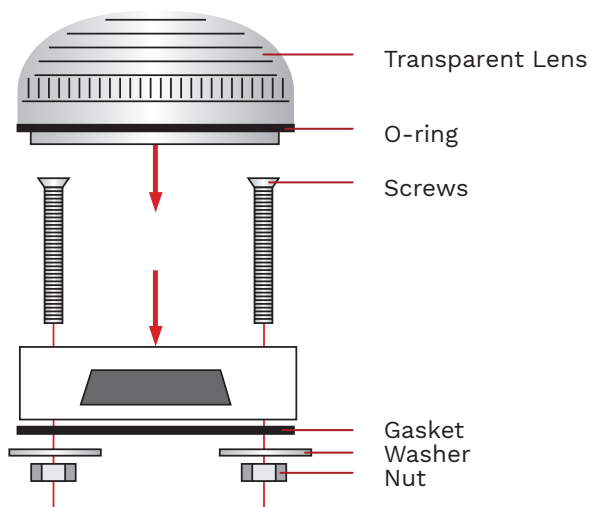
(*) When multiple triggers occur simultaneously, the color with highest priority is displayed.

BEACON SOUNDER SOUND PATTERNS

Alternating low / high beeps
Continuous 50 Hz
Fast frequency changing
Continuous 2700 Hz

BEACON SOUNDER

Ultra bright, ultra loud



FOR MORE INFORMATION

www.watchgas.com
info@watchgas.com

WatchGas Beacon Sounder DS EN 14-11-22 V3.3 © 2022 WatchGas B.V.
WatchGas is dedicated to continuously improving its products. Therefore, the specifications and features mentioned in this datasheet are subject to change without prior notice.

Distributed by